

### PRINCIPAL APPLICATIONS

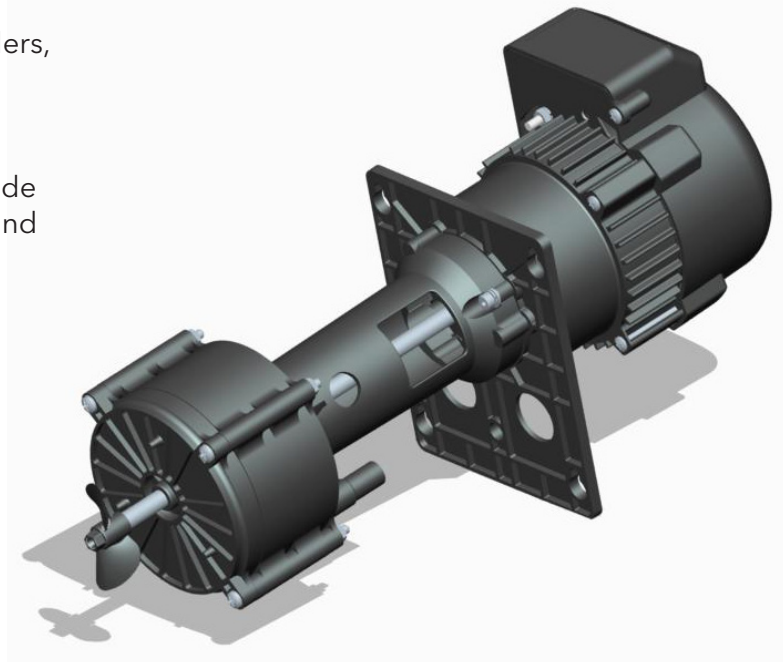
Designed for continuous operation in, chillers, coolers, vending and general water applications

### PIPES, FITTINGS AND MOUNTING PLATES

- SPC pumps are fitted to python systems to provide the optimum cooling rate for soft drinks, beers and wines
- Braided hose or brewery tubing complete with fittings available to order
- Alternative mounting plates in stainless steel available to order

### WETTED MATERIALS

- PP or stainless steel mounting plate
- Glass filled ABS Column & Pump Body with PP Impellers
- Stainless steel shaft
- Nylon Agitator



### FEATURES

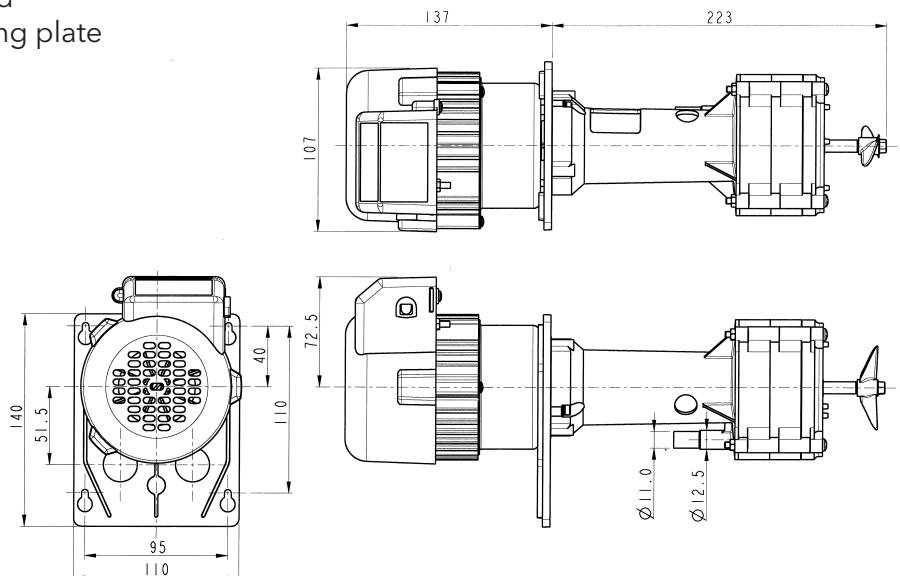
- Up to 18 litres/minute, Up to 18.3 metres head
- Low maintenance and long life
- Available with plugs and leads to suit application
- Agitator propeller fitted as standard
- Top mounted with keyhole mounting plate
- IPX4 motor housing
- Three stage pump head

### OPTIONS

110V or 50/60Hz versions

### DIMENSIONS

Drawings not to scale  
Dimensions in millimetres

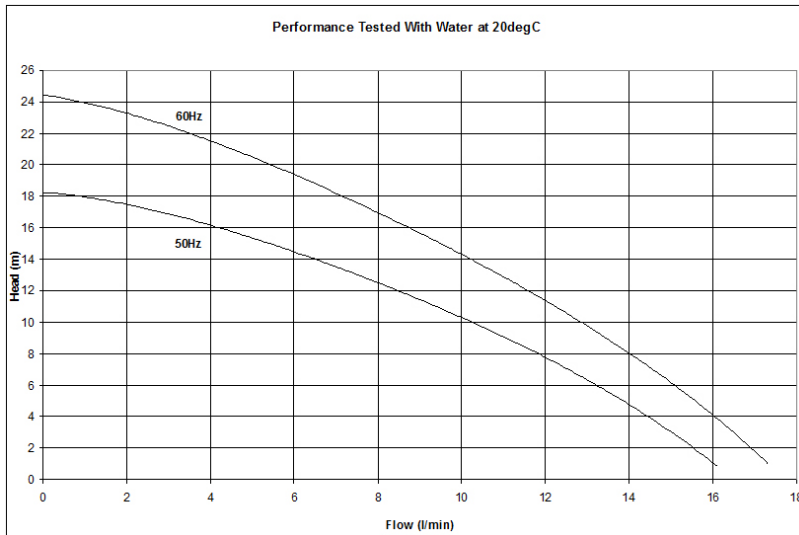


### SPECIFICATION

Model	Overall height (mm)	Overall length (mm)	Weight (kg)	Run-out flow rate (l/min)	Closed valve head (m)	Output port (mm)	Temp range (degC)	*Max specific gravity	Motor output (watts)
SPC43	137	360	3.2	50Hz 16.1	18.3	Plain 11/12.5 combined	-20 to +85	1.0	90
				60Hz 17.3	24.4				

\*Assuming maximum viscosity of 30cp.

## PERFORMANCE



NOTE: These magnetically coupled pumps are designed for use with clean fluids.

Solids will cause jamming. Abrasives will reduce pump life and invalidate the warranty.

The company reserves the right to change specifications.



[www.xyleminc.com](http://www.xyleminc.com)

**UK  
Xylem**  
Bingley Road, Hoddesdon  
Hertfordshire EN11 0BU  
Tel: +44 (0) 1992 450145  
Fax: +44 (0) 1992 467132

**USA  
Xylem**  
100 Cummings Center Drive  
Suite 535-N, Beverly, MA 01915  
Tel: +1 978 281-0440  
Fax: +1 978 283-2619

**ITALY  
Xylem**  
Via Tommaseo, 6  
20059 Vimercate, Milano  
Tel: +39 039 685 2323  
Fax: +39 039 666 307

**GERMANY  
Xylem**  
Oststrasse 28  
22844 Norderstedt  
Tel: +49-40-53 53 73-0  
Fax: +49-40-53 53 73-11

**JAPAN  
Xylem**  
3-21-10, Shin-Yokohama  
Kohoku-Ku, Yokohama, 222-0033  
Tel: +81-045-475-8906  
Fax: +81-045-477-1162

**Warranty:** All products of the company are sold, and all services of the company are offered subject to the company's warranty and terms of sale, copies of which will be furnished upon request. Details correct at time of printing. We reserve the right to change specifications without prior notice.